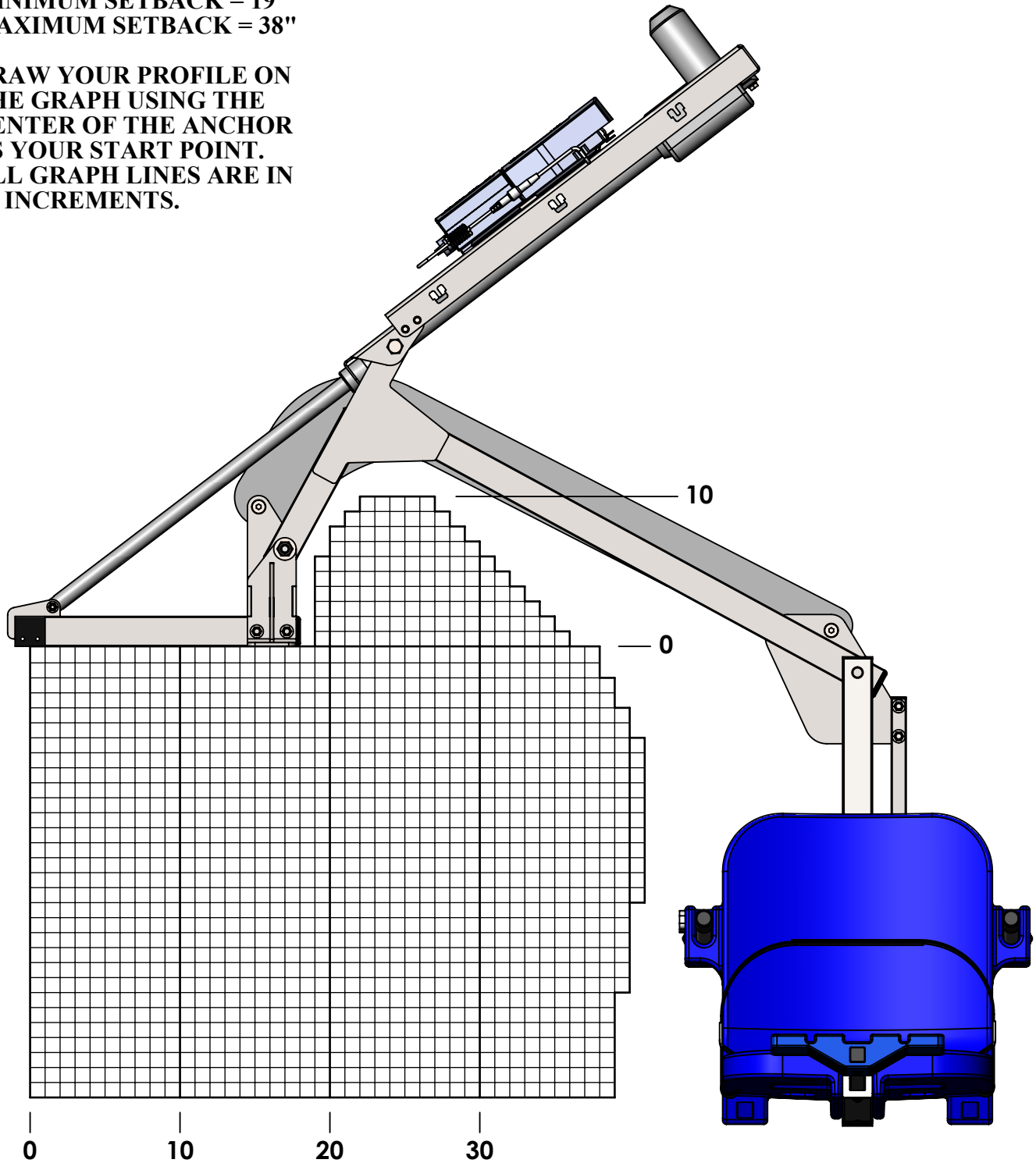


AMBASSADOR GRAPH CHART

MINIMUM SETBACK = 19"
 MAXIMUM SETBACK = 38"

DRAW YOUR PROFILE ON
 THE GRAPH USING THE
 CENTER OF THE ANCHOR
 AS YOUR START POINT.
 ALL GRAPH LINES ARE IN
 1" INCREMENTS.



strack Liftsysteme

Strack AG
 Ebnatstrasse 125
 8200 Schaffhausen

Tel. 0800 600 500
 Fax 0800 600 900

www.strack.ch
 info@strack.ch

ZSR-Nr. K 7514.14
 NIF-Nr. 366 824
 MWST-Nr. 567 970

PRODUCT:	AMBASSADOR	
PART #:	F-PPXRD-NA	
SCALE:	1:10	DATE: 7/15/2019
DRAWN BY:	KR	REVISION: 03